

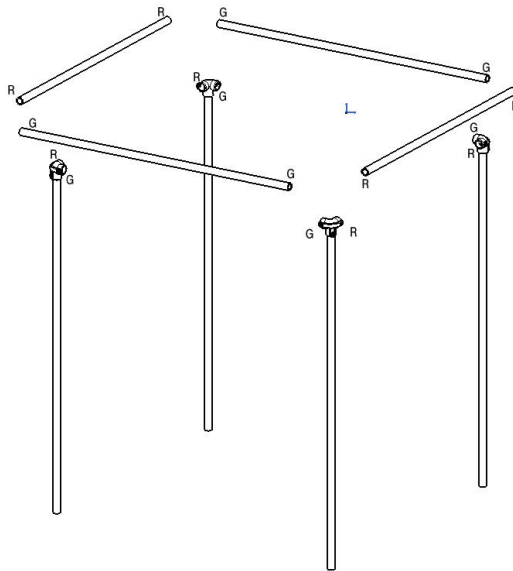
DIRT Bag™ Frame

Contents

- 4 - Pipes with attached fittings
- 2 - Pipes marked "green"
- 2 - Pipes marked "red"

Assembly

Slide color-coded pipes (red and green) into corresponding holes in fittings. Tighten screws to secure frame.



For more information:

937-458-0210 | www.dirtbagrepair.com